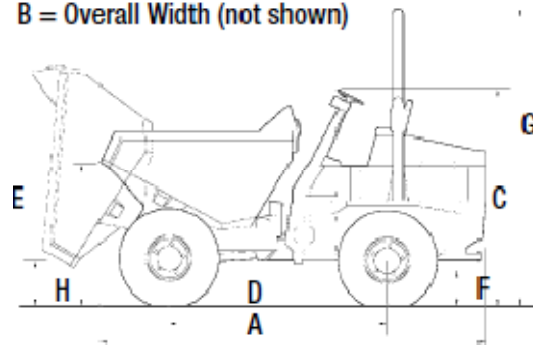




TEREX PT10000

		PT10000
Payload (kg)		10000
Unladen Weight (kg)		5300
Skip Capacity - Water (ltr)		2490
- Struck (ltr)		4140
- Heaped (ltr)		5050
Engine	Cummins 4B4.5T	
- Net Power - kW (hp)	74.5 (99.0) @ 2200 RPM	
- Capacity	4.5 litres	
- Maximum Torque	414 Nm	
Tyre Size	500/60x22.5x16ply High Floatation	
Drive	4/4 Powershuttle with Torque Converter - permanent 4WD	
Max Travel Speed - mph (kph)		17.4 (28.0)
Gradeability		20%
Fuel Tank Capacity		64 litres
Hydraulic Tank Capacity		51 litres

B = Overall Width (not shown)



		PT10000
A	Total Length	4420
B	Total Width (not shown)	2550
C	Height to Top of Steering Wheel	2630
D	Wheelbase	2450
E	Height to Front Lip of Skip (untipped)	1760
F	Ground Clearance	410
G	Height to Top of ROPS (raised)	3375
H	Height to Front Lip of Skip (tipped)	440
	Turning Radius to Outside of Skip	6017 mm
	Steering Angle	+/- 30°
	Oscillation	+/- 10°

WINNER PLANT

SUSSEX: 01903 230700

SURREY: 01483 456789

EMAIL: SALES@WINNERPLANT.CO.UK