

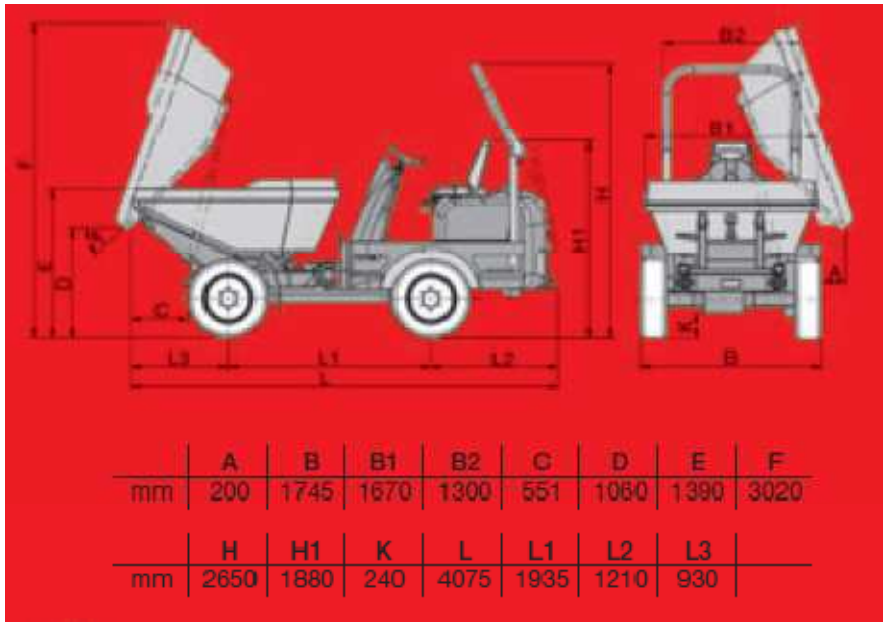


neuson

3001

	Capacity	
	Max. safe load	3000 kg
	Unladen weight	2560 kg
	Skip - struck	1250 l
	- heaped	1850 l
	- water level	850 l
	- swing	180-217 °
	Engine	
	Make	Yanmar
	Type	3 TNV 88
		3-cyl., watercooled
	Output (Iso 3046/1)	25,2 (24,3) kw (hp)
	Revolution	2800 min-1
	Displacement	1642 ccm
	Max. Torque	105 Nm
	Emission	acc. 97/68/EG, step 2
	Drive characteristics	
	Speed I	0 - 7 km/h
	Speed II	0 - 21 km/h
	Steering angle	+/- 37 °
	Oscillation	+/- 15 °
	Turning radius outside	3650 mm
	Gradeability	50 %
	Transmission	
	Final Drive	automotive hydrostatic drive via dropbox to axle and wheels
	Steering	hydrostatic center-pivot steering (load Sensing)
	Tyres	11.50/80-15,3 10 Ply Traction profile
	Working brake	foot brake via oil discs in front axle
	Parking brake	parking brake via oil discs in front axle

	Hydraulic System	
	Drive pump	axial piston pump
	- flowrate	126 l/min
	- oper. press.	360 bar
	Working pump	gear pump
	- flowrate	45 l/min
	- oper. press.	175 bar
	Tank capacity	
	Diesel	40 l
	Hydraulic	48 l
	Electric	
	Voltage	12 V
	Battery	88 Ah
	Alternator	40 A
	Starter	1,4 kw
	Noise Emission	
	Noise Level LWA (acc. 2000/14/EC)	103 dB(A)
	Noise Level LPA (acc. 2000/14/EC)	83 dB(A)



WINNER PLANT

SUSSEX: 01903 230700

SURREY: 01483 456789

EMAIL: SALES@WINNERPLANT.CO.UK