

KOMATSU PC09-1

ENGINE

Model Komatsu 2D68E-3A
 Displacement 522 cm³
 Engine power
 at rated engine speed 2.200 rpm
 ISO 14396 6,8 kW / 9,1 HP
 ISO 9249 (net engine power) 6,3 kW / 8,4 HP
 Cooling system water

OPERATING WEIGHT

Operating weight with standard bucket, fully serviced, +75 kg operator (ISO 6016).
 Operating weight with rubber shoes 880 kg
 Arm with hydraulic breaker +100 kg (optional)
 TOPS canopy +100 kg (optional)

HYDRAULIC SYSTEM

Main pumps 2x gear pump
 Max. pump flow 11 + 11 ltr/min
 Max. operating pressure 16 MPa (160 bar)
 Max. breakout force 1.130 daN (1.075 kg)

UNDERCARRIAGE

Blade - width x height 700 x 200 mm
 Shoe width 180 mm
 Ground pressure (standard) 0,25 kg/cm²
 Variable undercarriage

TRANSMISSION

Type double speed hydrostatic transmission, controlled and steered by means of two levers
 Max. drawbar pull 1.160 daN (1.090 kg)
 Travel speed 1,5 - 3,0 km/h

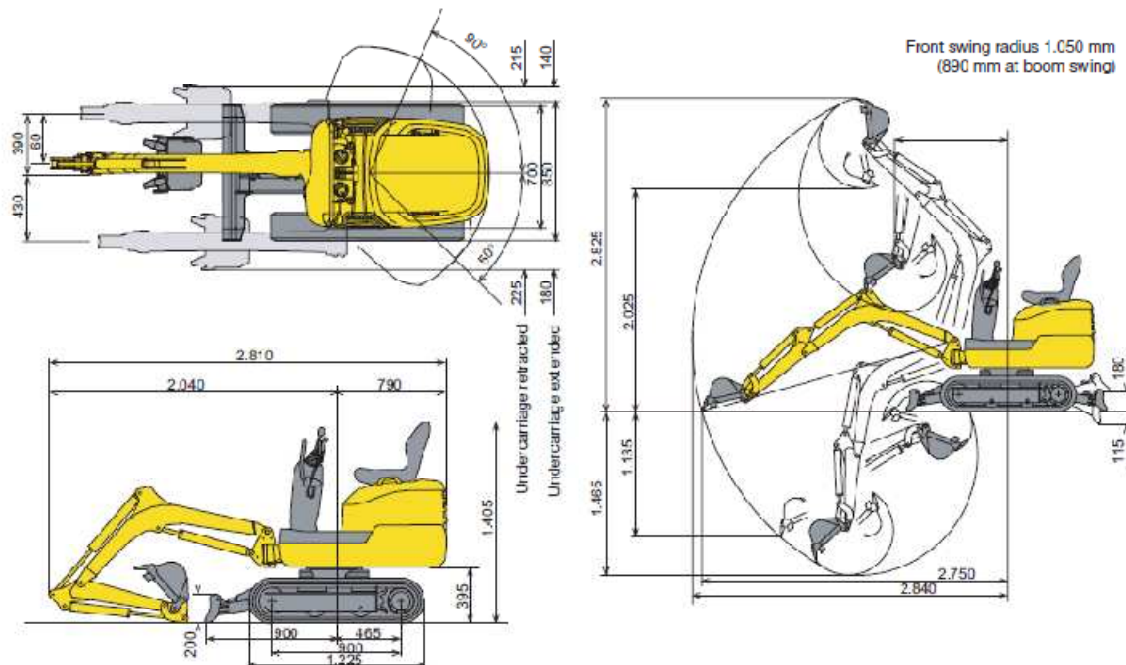
SERVICE CAPACITIES

Fuel tank 10,8 ltr
 Engine oil 1,9 ltr
 Hydraulic oil tank 16,4 ltr

HYDRAULIC BREAKER

Impact energy 108 J (11 kgm)
 Impact rate 800 bpm

DIMENSIONS



WINNER PLANT

SUSSEX: 01903 230700
 SURREY: 01483 456789
 EMAIL: SALES@WINNERPLANT.CO.UK