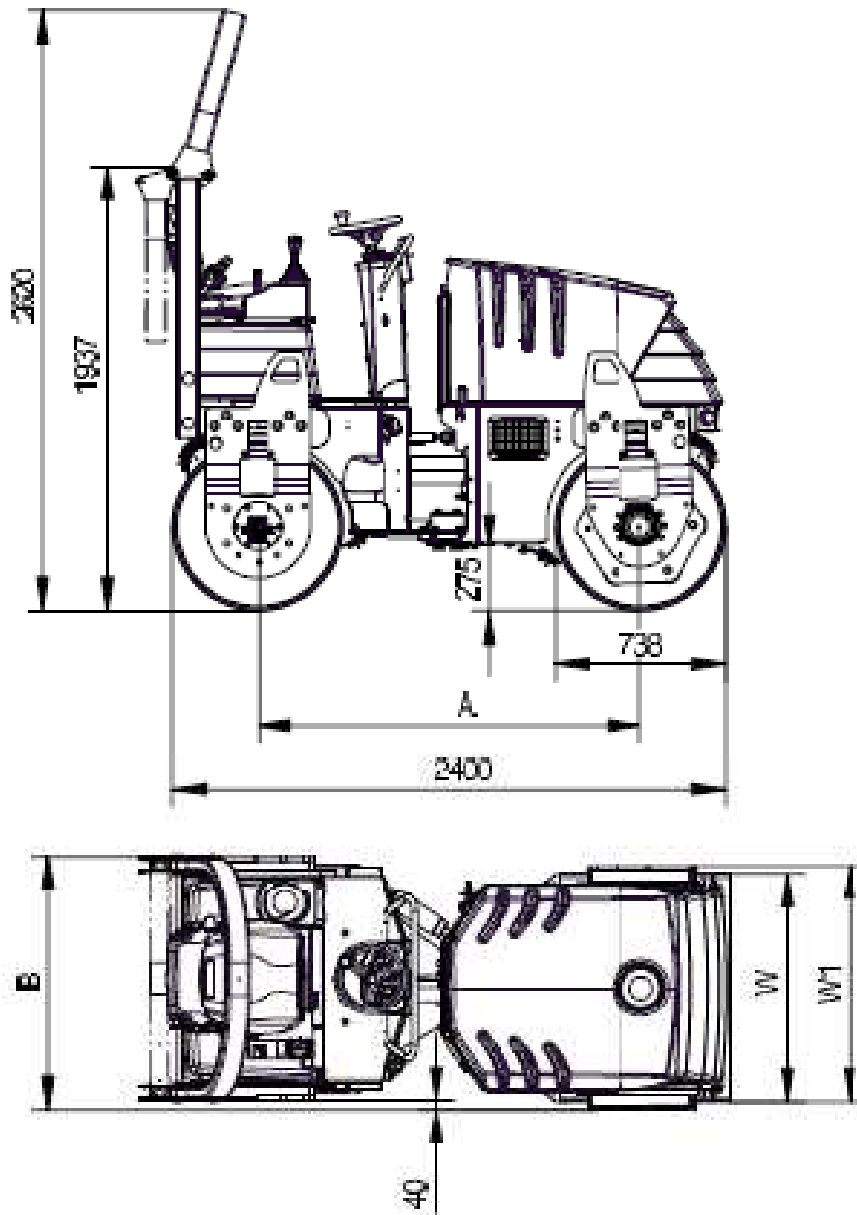


AMMANN AV 26-2



Dimensions	L	B	H	W	W1	A	V
Measures in mm							
AV 26-2 / 32-2	2400	1310	2620	1200	1240	1650	40

WINNER PLANT

SUSSEX: 01903 230700
 SURREY: 01483 456789
 EMAIL: SALES@WINNERPLANT.CO.UK

AMMANN AV 26-2

Weight		
Operating weight CECE (full-flush)	kg	2800 (2900)
Static linear load (full-flush)	kg/cm	11.7 (12.0)
Wheel load	kg	-
French classification		PV3
Drums (Wheels)		
Width (full-flush)	mm	1200 (1250)
Diameter	mm	740
Thickness	mm	13
Offset (full-flush)	mm	40 (35)
Number of wheels		-
Tire size		-
Tire-axle width	mm	-
Rolling width max. (full-flush)	mm	1240 (1300)
Drive		
Engine and type	Yanmar VTN388 EuroMot3A/EPA2	
1. working speed: 2050 rpm		
Power output DIN 6270 B	kW / HP	19.8 / 27.0
Travel speed	km/h	0 - 7
Gradeability with / without vibr.	%	30 / 40
2. working speed: 2400 rpm		
Power output DIN 6270 B	kW / HP	23.2 / 30.6
Travel speed	km/h	0 - 8
Gradeability with / without vibr.	%	30 / 40
Steering		
Turning radius, outside / inside	mm	3450 / 2250
Steering / Oscillating angle	+/- °	32 / 8
Vibration		
Amplitude	mm	0.4
1. working speed: 2050 rpm		
Frequency	Hz	59
Centrifugal force per drum	kN	34
2. Arbeitsdrehzahl: 2400 U/min		
Frequency	Hz	67
Centrifugal force per drum	kN	41
Capacities		
Water tank	l	80 + 120
Anti-adhesive	l	-
Hydraulic tank	l	25
Diesel fuel tank	l	43

WINNER PLANT

SUSSEX: 01903 230700

SURREY: 01483 456789

EMAIL: SALES@WINNERPLANT.CO.UK